

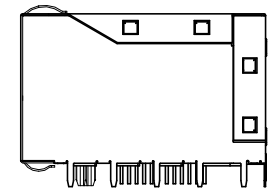
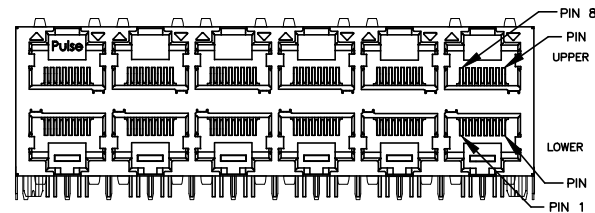
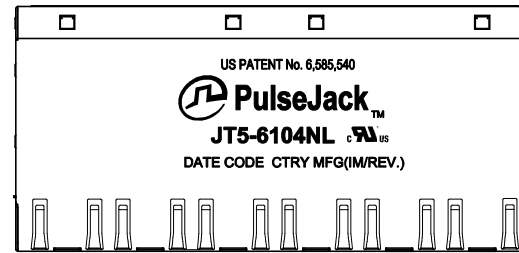


NOTES:

1. ROHS COMPLIANT.
2. PLASTIC HOUSING: THERMOPLASTIC MATERIAL WITH FLAMMABILITY RATING UL 94V-0 OR BETTER.
3. CONTACTS PLATING: 50 MICRO-INCH GOLD PLATING.
4. SIGNAL SOLDER PINS: TIN PLATED.
5. METAL SHIELD: NICKEL PLATED COPPER.
6. JACK CAVITY CONFORMS TO FCC PART 68 SUBPART F.
7. STORAGE TEMPERATURE: -20°C TO +125°C
8. COMPLIANT TO J-STD:
 - A. J-STD-002: SOLDERABILITY AT 245°C REFLOW PROFILE
 - B. J-STD-020: LEVEL 1, NO MOISTURE SENSITIVE
 - C. J-STD-075: W7, 270°C MAXIMUM THROUGH WAVE SOLDER



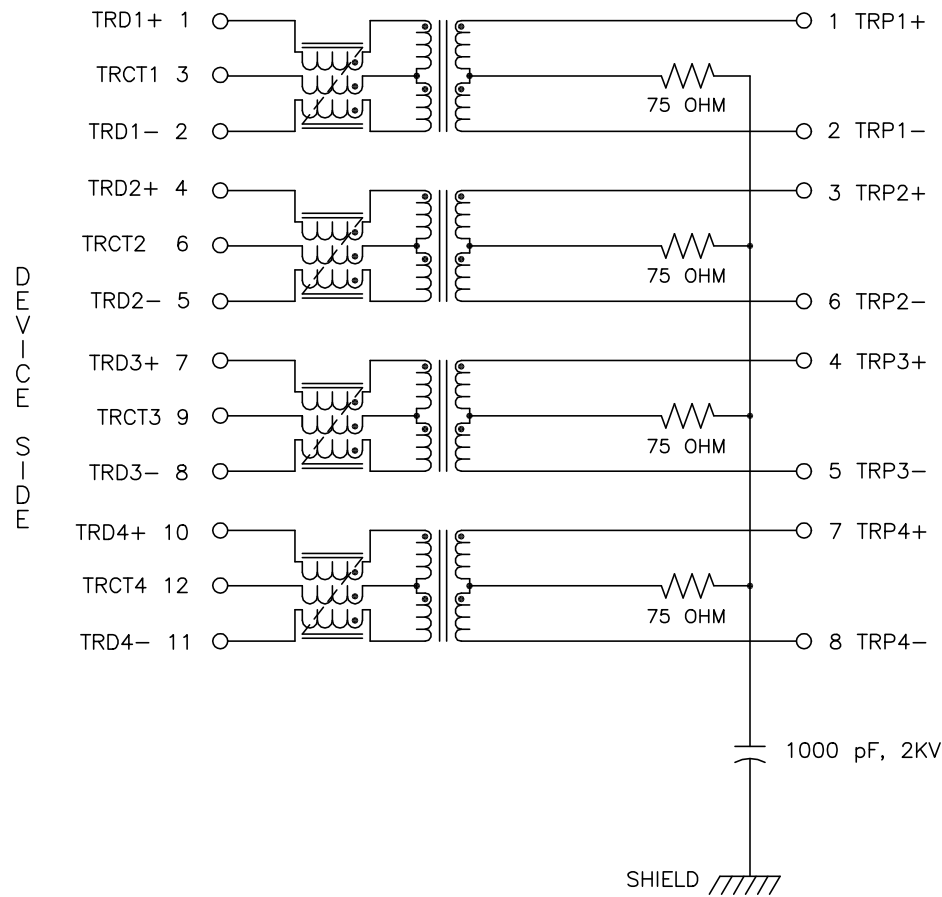
MAXIMUM SMT LED HEIGHT SHOULD NOT EXCEED 1.1mm.



FINAL OUTLINE

© Copyright, 2022. Pulse Electronics Corp. All rights reserved. Pulse confidential & proprietary. (07/08/22)

PRODUCT DESCRIPTION	TLA DRAWING	PS DRAWING	SHEET	PART NO.	DATASHEET REV.
CONN,RJ45,2X6,10G,4C,1:1,TY	JT5-6104NL-P1	PS-2636.029-01	1 OF 6	JT5-6104NL	D



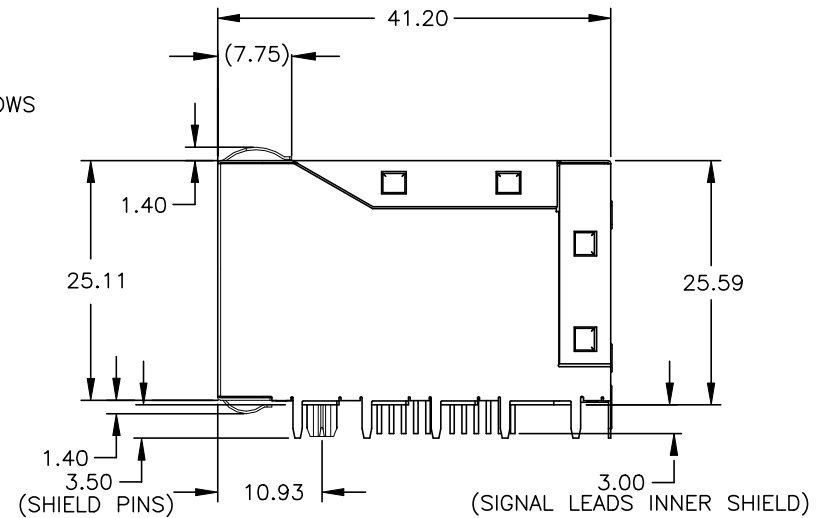
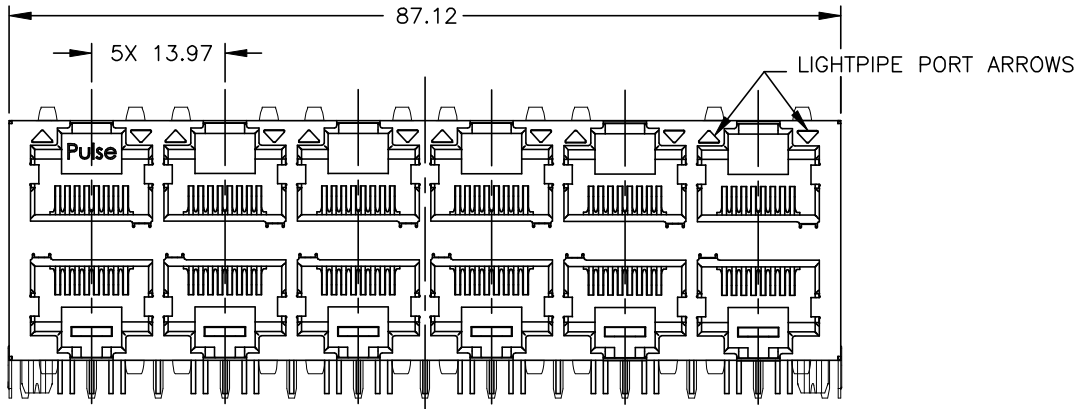
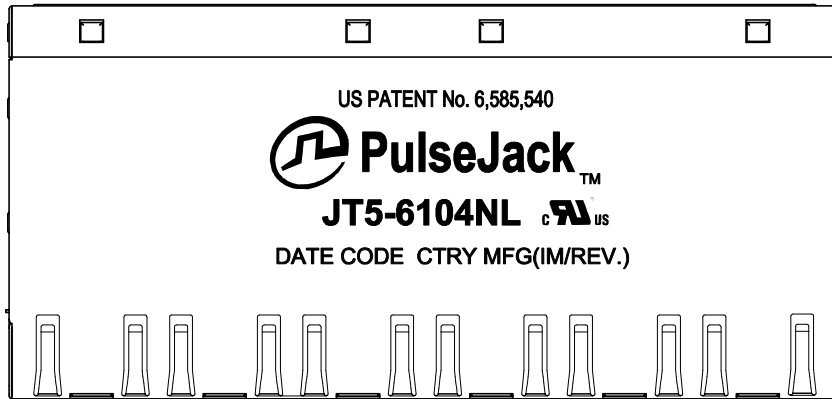
SCHEMATIC
PER PORT

ELECTRICAL CHARACTERISTICS AT +25°C UNLESS OTHER SPECIFIED
MEETS IEEE 802.3 SPECIFICATION

PARAMETER	SPECIFICATIONS		
OPERATING TEMP	0°C TO +70°C		
TURNS RATIO	1.00 ± 2%		
POLARITY	PER SCHEMATIC		
INSERTION LOSS	100 KHz	1-400 MHz	
	-3.0 dB MAX	-2.0 dB MAX (-1.4 dB TYP)	
RETURN LOSS (Z OUT = 100 OHM ± 1%)	1-100 MHz	100 MHz-500 MHz	
	-22 dB MIN	-22+20.75*LOG ₁₀ (f/100) dB MIN	
INDUCTANCE (OCL)	150 uH MIN @ 100 kHz, 100 mV		
CROSSTALK, ADJACENT CHANNELS	1-100 MHz	100-500 MHz	
	-28 dB MIN	-19 dB MIN	
COMMON MODE REJECTION RATIO	1-40 MHz	40-100 MHz	100-500 MHz
	-30 dB MIN	-28 dB MIN	-26 dB MIN
COMMON TO DIFFERENTIAL MODE REJECTION (CDMR)	1-250 MHz	250-500 MHz	
	-30 dB MIN	-22 dB MIN	
INPUT - OUTPUT ISOLATION	2250 VDC MIN @ 60 SECONDS		

NOTE: f IS FREQUENCY IN MHZ.

PRODUCT DESCRIPTION	TLA DRAWING	PS DRAWING	SHEET	PART NO.	DATASHEET REV.
CONN,RJ45,2X6,10G,4C,1:1,TY	JT5-6104NL-P1	PS-2636.029-01	2 OF 6	JT5-6104NL	D



ALL DIMENSION ARE SHOWN IN MILLIMETERS.
 UNLESS OTHERWISE SPECIFIED,
 THE FOLLOWING TOLERANCES APPLY:

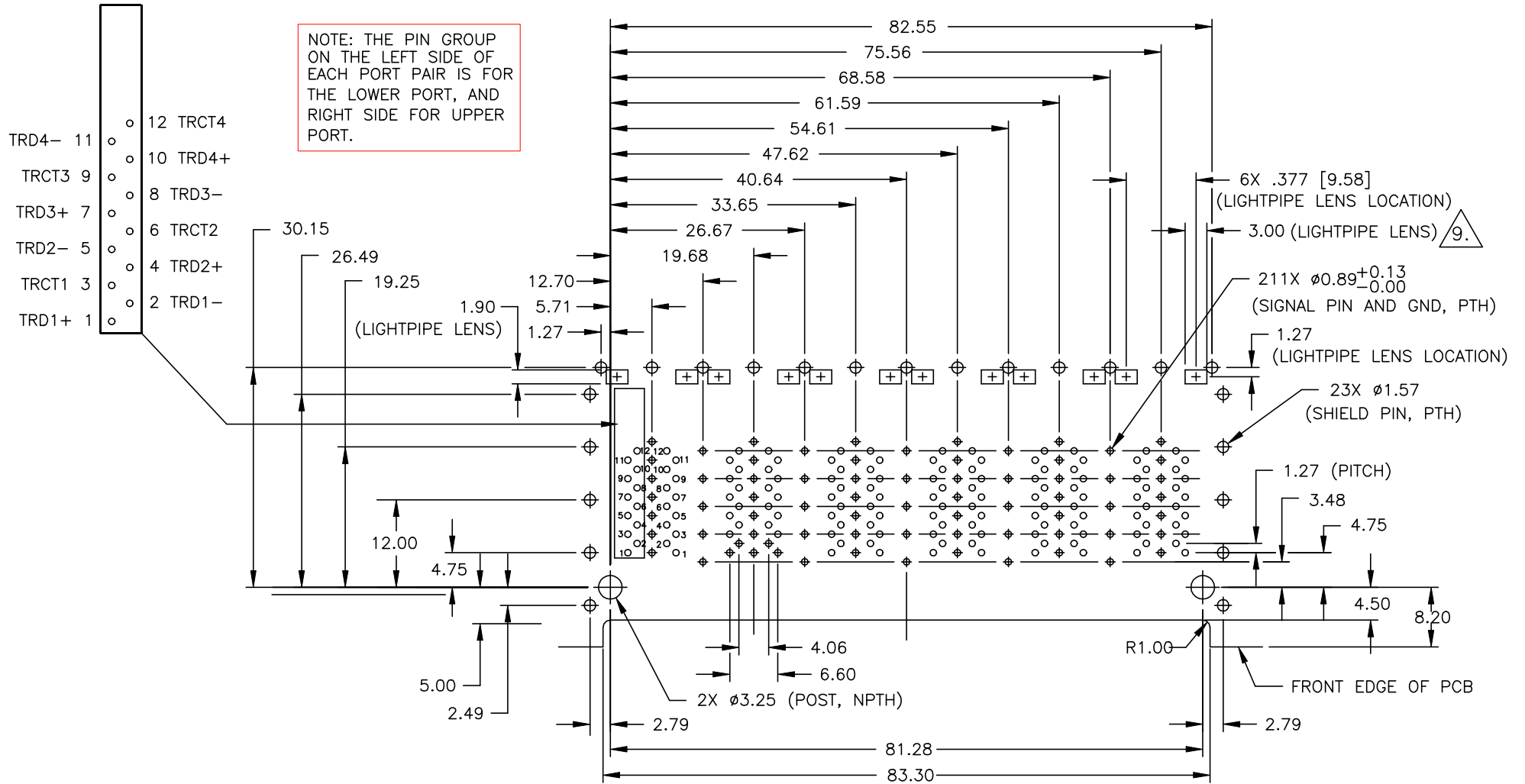
X.XX = ±0.25

© Copyright, 2022. Pulse Electronics Corp. All rights reserved. Pulse confidential & proprietary. (07/08/22)

PRODUCT DESCRIPTION	TLA DRAWING	PS DRAWING	SHEET	PART NO.	DATASHEET REV.
CONN,RJ45,2X6,10G,4C,1:1,TY	JT5-6104NL-P1	PS-2636.029-01	3 OF 6	JT5-6104NL	D



NOTE: THE PIN GROUP ON THE LEFT SIDE OF EACH PORT PAIR IS FOR THE LOWER PORT, AND RIGHT SIDE FOR UPPER PORT.

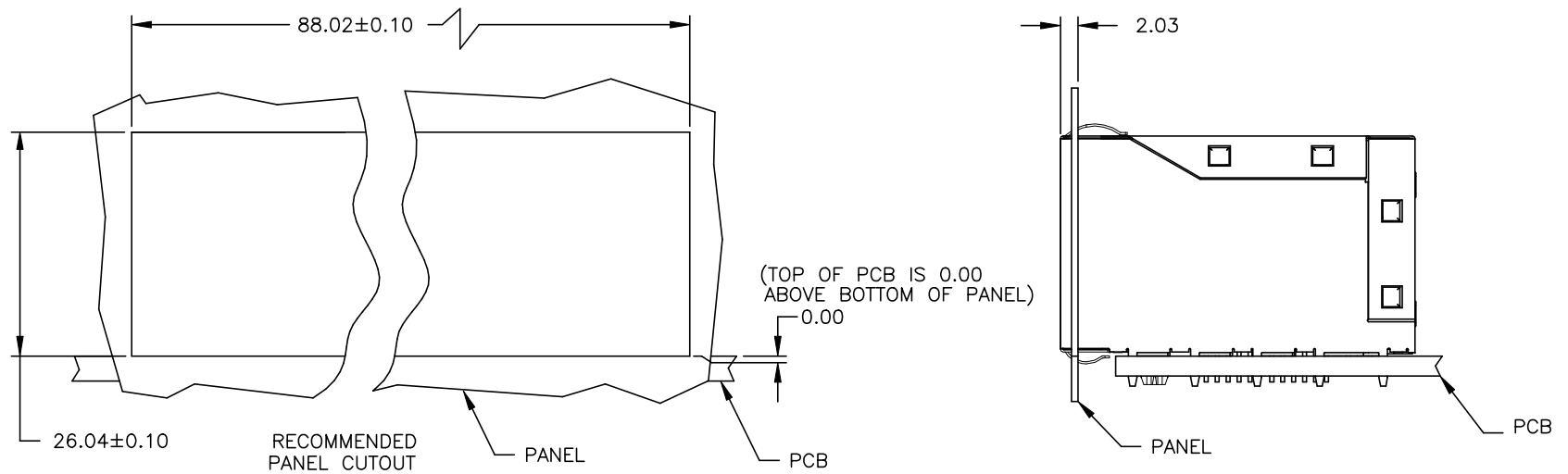


ALL DIMENSION ARE SHOWN IN MILLIMETERS.
UNLESS OTHERWISE SPECIFIED,
THE FOLLOWING TOLERANCES APPLY:
X.XX = ± 0.05

SUGGESTED FOOTPRINT (COMPONENT SIDE SHOWN)

© Copyright, 2022. Pulse Electronics Corp. All rights reserved. Pulse confidential & proprietary. (07/08/22)

PRODUCT DESCRIPTION	TLA DRAWING	PS DRAWING	SHEET	PART NO.	DATASHEET REV.
CONN,RJ45,2X6,10G,4C,1:1,TY	JT5-6104NL-P1	PS-2636.029-01	4 OF 6	JT5-6104NL	D



ALL DIMENSION ARE SHOWN IN MILLIMETERS.
UNLESS OTHERWISE SPECIFIED,
THE FOLLOWING TOLERANCES APPLY:
X.XX = ± 0.25

© Copyright, 2022. Pulse Electronics Corp. All rights reserved. Pulse confidential & proprietary. (07/08/22)

PRODUCT DESCRIPTION	TLA DRAWING	PS DRAWING	SHEET	PART NO.	DATASHEET REV.
CONN,RJ45,2X6,10G,4C,1:1,TY	JT5-6104NL-P1	PS-2636.029-01	5 OF 6	JT5-6104NL	D



CHANGE RECORD

REV	DESCRIPTION	DATE	APPROVED
C	UPDATE OCL FROM 180 uH MIN TO 150 uH MIN	06DEC17	BEZHOU
D	ADD PTH AND NPTH INFORMATION.	08JUL22	RICKWANG

© Copyright, 2022. Pulse Electronics Corp. All rights reserved. Pulse confidential & proprietary. (07/08/22)

PRODUCT DESCRIPTION	TLA DRAWING	PS DRAWING	SHEET	PART NO.	DATASHEET REV.
CONN,RJ45,2X6,10G,4C,1:1,TY	JT5-6104NL-P1	PS-2636.029-01	6 OF 6	JT5-6104NL	D